



Crafted to Excellence

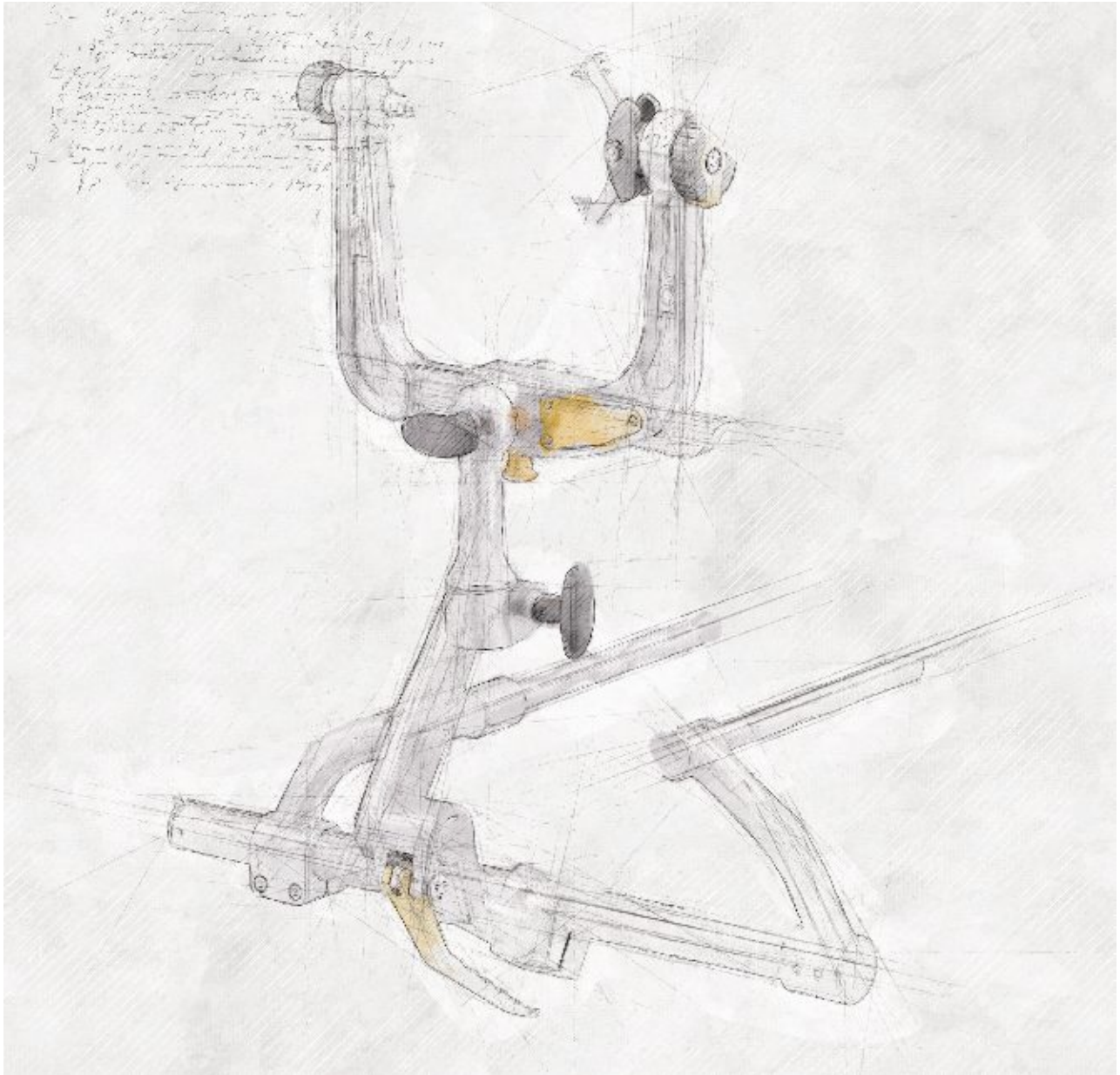
SURTEX
Skullfix
Headrest Retractor System



SURTEX
INSTRUMENTS

Crafted to Excellence

SURTEX
Skullfix
Headrest Retractor System

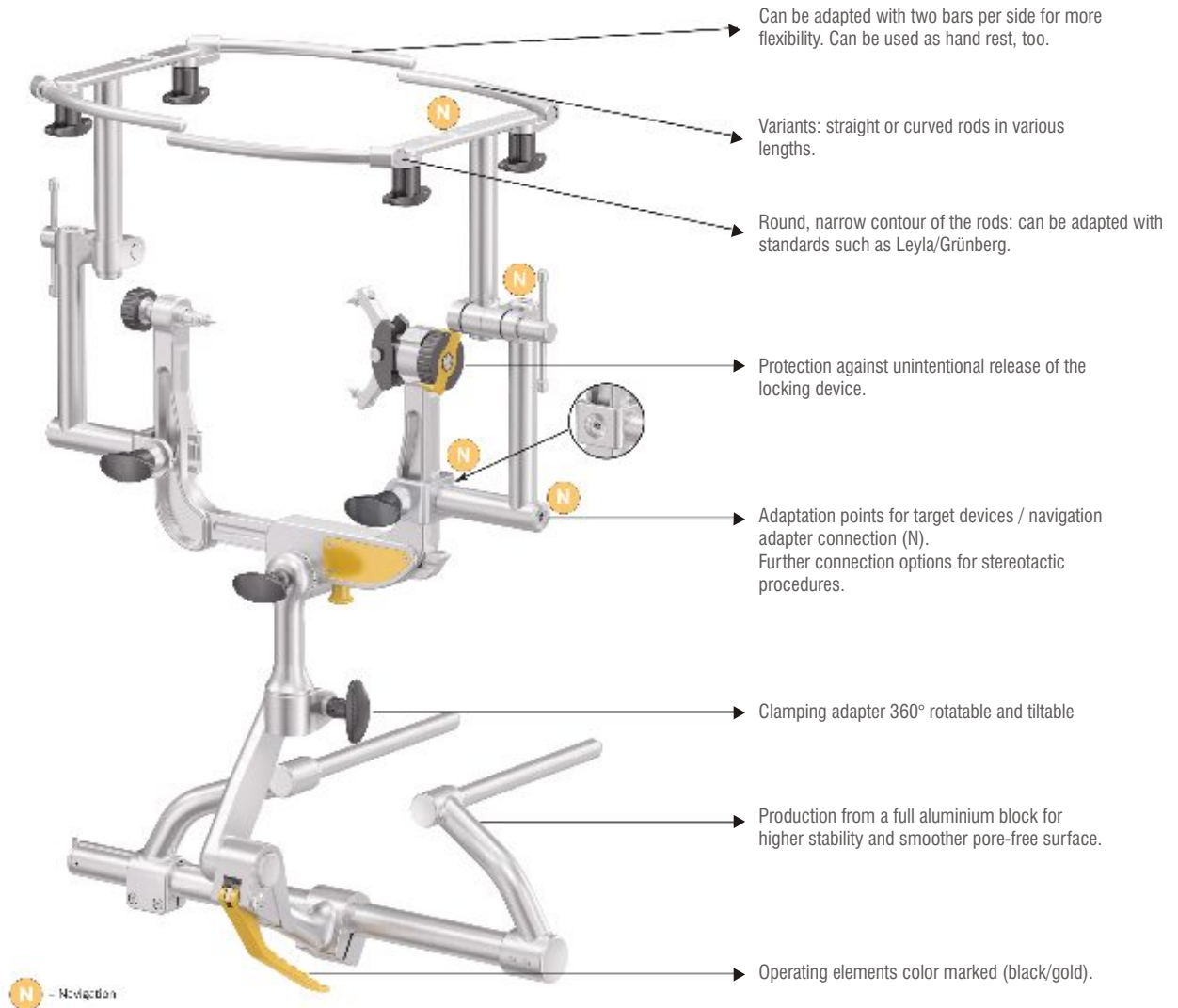




SURTEX
INSTRUMENTS

Crafted to Excellence

SURTEX
Skullfix
Headrest Retractor System



- The newly developed **Surtex Skullfix Headrest Retractor system** has been specially designed to meet the needs of the user.
- The basic set is available with a skull clamp or neck support and can be connected to a complete attachment holding system for the adaptation of accessories (Leyla, Grünberg...).
- This makes the system movable in all directions and height-adjustable.
- Four adaptation interfaces for the attachment of target devices as well as further connection possibilities for stereotactic procedures are available.



SURTEX
INSTRUMENTS

Crafted to Excellence

SURTEX
Skullfix
Headrest Retractor System



Skullfix Headrest Retractor System
With Skull Clamp, Complete Set
NS-030-00
Consisting of:
NS-030-01
NS-030-02
NS-030-03



Adjustable Base Unit With Connecting Arm
For Skullfix Headrest Retractor System
NS-030-01



Connection Arm
For Skullfix Headrest Retractor System, 168 mm
NS-030-02



OR Table Rail Adapter For Skullfix Headrest Retractor System
(550-610 mm)
NS-030-25

Universal Or Table Rail Adapter For Skullfix Headrest Retractor System
(550-610 mm)
NS-030-26



SURTEX
INSTRUMENTS

Crafted to Excellence

SURTEX
Skullfix
Headrest Retractor System



Skullfix Skull Clamp
Spread Width 60-230 mm (Ø 85-240 mm)
NS-030-03



| Code No. | Description | Adults/Pediatric |
|-----------|--|------------------|
| NS-030-08 | Skullfix Skull Pin For Adults, Stainless Steel, Reuseable | Adults |
| NS-030-09 | Skullfix Skull Pin For Pediatric, Stainless Steel, Reuseable | Pediatric |
| NS-030-10 | Skullfix Skull Pin For Adults + Titanium, Reuseable | Adults |
| NS-030-11 | Skullfix Skull Pin For Pediatric, Titanium, Reuseable | Pediatric |
| NS-030-12 | Skullfix Skull Pin For Adults, Peek + Stainless Steel, Disposable | Adults |
| NS-030-13 | Skullfix Skull Pin For Pediatric, Peek + Stainless Steel, Disposable | Pediatric |
| NS-030-14 | Skullfix Skull Pin For Adults, Peek + Titanium, Disposable | Adults |
| NS-030-15 | Skullfix Skull Pin For Pediatric, Peek + Titanium, Disposable | Pediatric |



SURTEX
INSTRUMENTS

Crafted to Excellence

SURTEX
Skullfix
Headrest Retractor System



**Skullfix Headrest Retractor System With "Horseshoe",
Complete Set
NS-030-04
Consisting of:
NS-030-05
NS-030-06
NS-030-07**



SURTEX
INSTRUMENTS

Crafted to Excellence

SURTEX
Skullfix
Headrest Retractor System



"Horseshoe" - Head Rest For Skullfix Headrest Retractor System
Include Gel Pad
NS-030-05



"Horseshoe" - Head Rest For Skullfix Headrest Retractor System
Without Gel Pad
NS-030-06



Gel Pads For Headrest System
Adults
NS-030-07



SURTEX
INSTRUMENTS

Crafted to Excellence

SURTEX
Skullfix
Headrest Retractor System



Attachment Holding System For Skullfix Headrest Retractor System

Complete
NS-030-16

Consisting of:
1 x NS-030-18
2 x NS-030-19
2 x NS-030-20
2 x NS-030-23

Attachment Holding System For Skullfix Headrest Retractor System

One Side - Right or Left Adaptable.
NS-030-17

Consisting of:
1 x NS-030-18
1 x NS-030-19
1 x NS-030-20
1 x NS-030-23



SURTEX
INSTRUMENTS

Crafted to Excellence

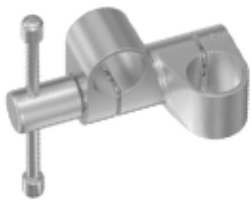
SURTEX
Skullfix
Headrest Retractor System



Clamp For Skull Holder-Bar
Set of 2 Pcs, For Right/Left
NS-030-18



Holding Bar With Gear Rim Plate
For Right/Left Side
NS-030-19



Clamp/Locking Coupling
Ø25 mm (For Connecting of NS-030-18 + NS-030-19)
NS-030-20



Frame
Ø12,7, Straight, Short, 2 x (For Right and Left Side)
NS-030-21

Frame
Ø12,7, Straight, Long, 2 x (For Right and Left Side)
NS-030-22



Frame
Ø12,7, Slightly Curved, Short, 2 x (For Right and Left Side)
NS-030-23

Frame
Ø12,7, Slightly Curved, Long, 2 x (For Right and Left Side)
NS-030-24



SURTEX
INSTRUMENTS

Crafted to Excellence

SURTEX
Skullfix
Headrest Retractor System



OR Table Slide Rail Fitting For Skullfix Headrest Retractor System

Crossbar
NS-030-27



Crossbar For Skullfix Headrest Retractor System

Width Adaptable From 64 - 70 cm
NS-030-28



SURTEX
INSTRUMENTS

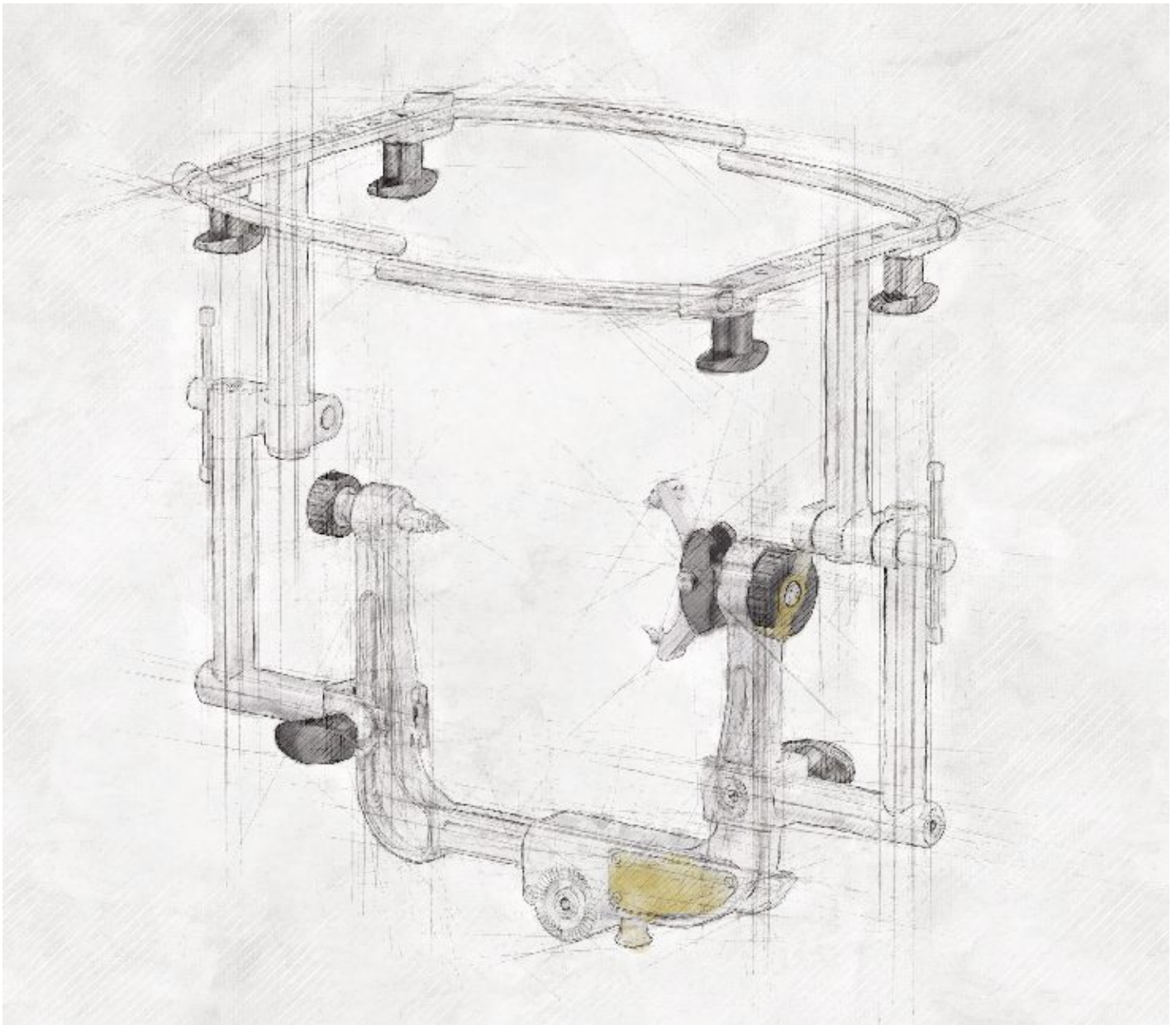
Crafted to Excellence

SURTEX
Skullfix
Headrest Retractor System

Skullfix - Headrest Retractor system, further products

Further options for the Skullfix Headrest Retractor system will be available in year 2020:

- A premium coated version is available in addition to the aluminium version.
- For X-ray and other imaging procedures, a system made entirely of PEEK is available.





COPYRIGHT NOTICE

The copyright, trademarks, domain names and other intellectual property rights in all materials and information in this presentation belongs to Surtex Instruments Ltd. All rights are reserved. Technical alterations are possible. This presentation may be used for no other purpose than offering, buying and selling of Surtex Instruments products. No part may be reproduced or copied in any form. In the event of misuse we retain the right to recall our catalogues and take appropriate legal action.

DISCLAIMER

This documents provides general information about Surtex Instruments Ltd, its products and services, and summarises general capabilities and offerings, which we deem to be relevant to our customers. Whilst Surtex Instruments has taken appropriate steps to ensure the accuracy of the information contained in the document Surtex Instruments gives no warranty regarding the accuracy or completeness of such information.

The presentation was prepared to provide information and does not constitute a contract. Surtex reserves the right, without prior notice, to change, delete, supplement, or otherwise amend at any time the information, images and offerings contained in the presentation or other documents. Surtex shall not be liable for any loss or damage of whatever nature (whether direct, indirect, consequential or other) may arise as a result of any third party relying on the information contained in this document.

For further detailed information, prices, terms and conditions, customer should contact Surtex Instruments at sales@surtex-instruments.co.uk.

© 2020 SURTEX INSTRUMENTS. ALL RIGHTS RESERVED. PRINTED IN UNITED KINGDOM. BT1-01 Rev 1.0



Unit 202 Kingspark Business Centre
152-178 Kingston Road, New Malden
Surrey KT3 3ST United Kingdom
Phone: +44 (0) 208 123 3513

E-mail: sales@surtex-instruments.co.uk
Website: www.surtex-instruments.co.uk



0005